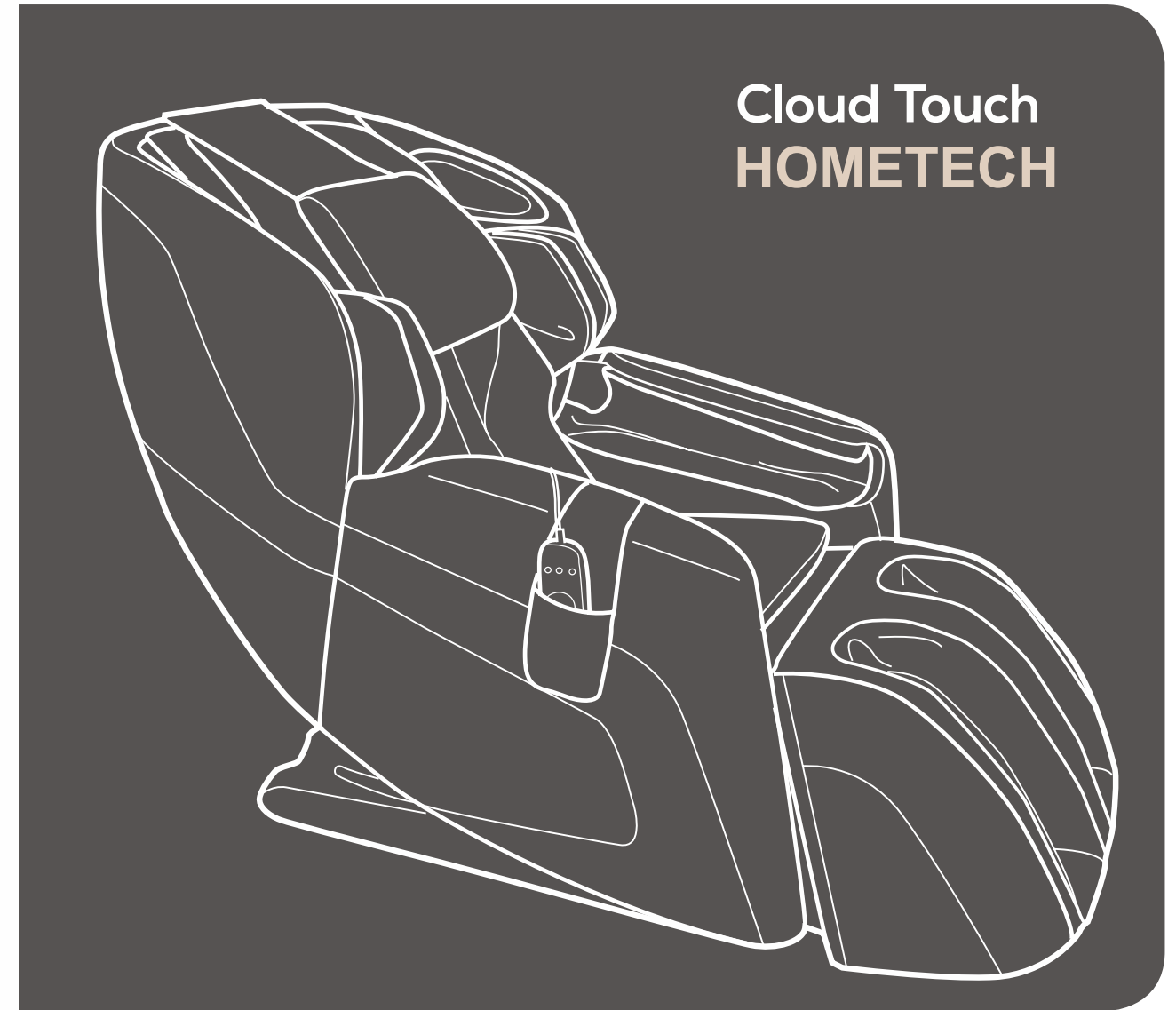




massagechairs.co.za

032.492.0103

©2020 Cloud Touch Hometech
No medical claims are warranted or implied by the use of this product.



Cloud Touch Massage Chair
use & care manual



For over four decades, Cloud Touch has established itself as an industry leader that is changing the lives of its customers with products and services that help them **feel, perform, and live their best**. Developed in cooperation with the medical community and industry experts, we deliver products that blend patented technology, craftsmanship and intelligent ergonomics with superior design to enable therapeutic relief for everyone.

Our industry-leading massage chairs, Perfect Chair recliners and evolving set of innovative solutions share attributes in their ease-of-use, attention to performance and quality, and design to adapt to most any lifestyle. These attributes are highly valued by our customers and garner broad industry award and recognition. As a result, Cloud Touch empowers people to enjoy greater health and vitality in their professions, pursuits and everyday lives. And with a population increasingly aware of the benefits of wellness, Cloud Touch extends its brand leadership and available **solutions for the benefit of everyone**

massagechairs.co.za

Proudly endorsed by:



Register your product at www.massagechairs.co.za to ensure your product is in our system to simplify the warranty process should you ever need it.

Cloud Touch **HOMETECH** Massage Chair

This is not a dream.

This is you reaching your peak .

Your mind at its sharpest.

Your body rejuvenated.

Your soul energized.

This is the Cloud Touch Hometech Massage Chair

At first glance, the Cloud Touch Hometech is stunning in its simplicity, but take a closer look and find so much more beneath the striking design. The Cloud Touch Hometech Massage Chair provides the therapeutic benefits of massage with a high-performance L-track that extends coverage from your neck and shoulders down to your glutes and thighs. Nine auto-programs including Full-Body, Stretch and Recovery provide effective solutions to your everyday stresses.

You work hard. You understand how important it is to revitalize physically and mentally to perform at your peak and be your best. Your success is determined by how you start and end your day. Supercharge your daily ritual with a Cloud Touch Hometech massage chair and gain your high-performance edge. Your body rejuvenated, you will experience a heightened level of confidence, motivation, and clarity.



**MORNING AND NIGHT, BOOKEND YOUR DAY WITH
A CLOUD TOUCH HOMETECH MASSAGE CHAIR
AND UNLOCK YOUR FULL POTENTIAL.**

keep it safe

IMPORTANT SAFETY INSTRUCTIONS

When using an electrical appliance, basic precautions should always be followed, including the following:

READ ALL INSTRUCTIONS BEFORE USING THIS APPLIANCE.



DANGER: To reduce the risk of electrical shock

Always unplug this product from the electrical outlet immediately after using and before cleaning.



WARNING: To reduce the risk of burns, fire, electric shock or injury to persons:

- Do not put hands or fingers near the massage mechanism or rollers while this product is running. Touching the mechanism can result in injury from the rollers squeezing together.
- If the supply cord is damaged, it must be replaced by the manufacturer or its service agent or a similarly qualified person in order to avoid a hazard.
- An appliance should never be left unattended when plugged in. Unplug from outlet when not in use, and before putting on or taking off parts.
- Do not operate under blanket or pillow. Excessive heating can occur and cause fire, electric shock, or injury to persons.
- Close supervision is necessary when this product is used by, on, or near children, invalids, or disabled persons. Keep children away from extended foot support (or other similar parts).
- Use this product only for its intended use as described in this manual. Do not use attachments not recommended by the manufacturer.
- Never operate this product if it has a damaged cord or plug, if it is not working properly, if it has been dropped or damaged, or dropped into water. Return this product to a service center for examination and repair.
- Do not carry this appliance by supply cord or use cord as a handle.
- Always keep the power cord away from heated surfaces.
- Never operate this product with the air openings blocked. Keep the air openings free of lint, hair, and the like.
- Never drop or insert any object into any opening.
- Do not use outdoors.
- Do not operate where aerosol (spray) products are being used or where oxygen is being administered.
- To disconnect, turn all controls to the OFF position, then remove plug from outlet.
- Do not massage any area of the body that is swollen, inflamed or covered with skin eruptions.
- Do not use on unexplained calf pain.
- Do not use this product when standing on a damp floor, or when any part of the body is in contact with plumbing or any similar ground.
- Connect this appliance to a properly grounded outlet only. See **GROUNDING INSTRUCTIONS**
- Do not use this product if noise above normal sound is heard.
- Do not stand on or in appliance. Use only while seated.
- This appliance is not intended for use by persons (including children) with reduced physical, sensory or mental capabilities, or lack of experience and knowledge, unless they have been given supervision or instruction concerning use of the appliance by a person responsible for their safety. Children should be supervised to ensure that they do not play with the appliance.

SAFETY PRECAUTIONS

- Comfortable clothing is recommended while using this product.
- This product was meant to be used in a relaxed position. Never force any body part into the backrest area while the rollers are moving.
- If you feel any abnormal discomfort during the operation of this product, turn off the power immediately and do not use the product. Consult your physician.
- Do not sit on the controller.
- Do not pull on the AC cord.
- When using this product after it has been in storage, check to see that the product is operating properly prior to use.
- Always confirm that there are no obstacles behind the product and that there is sufficient space to reel in

SAVE THESE INSTRUCTIONS

Do not attempt to repair this product yourself.

This product is designed for personal in-home use. Commercial use will void warranty.

Grounding Instructions:

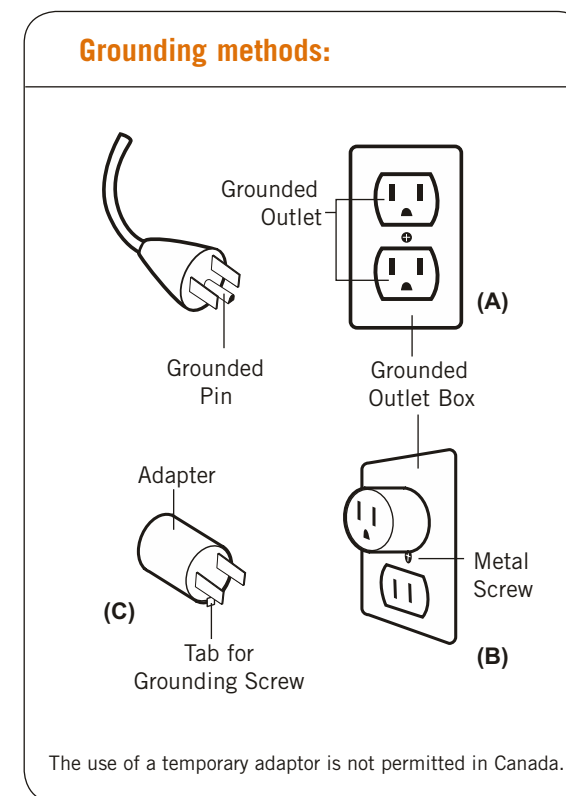
This product must be grounded. If it should malfunction or breakdown, grounding provides a path of least resistance for electrical current to reduce the risk of electric shock. This product is equipped with a cord having an equipment-grounding conductor and a grounding plug. The plug must be plugged into an appropriate outlet that is properly installed and grounded in accordance with all local codes and ordinances.



DANGER: Improper connection of the equipment-grounding conductor can result in a risk of electronic shock. Check with a qualified electrician or serviceman if you are in doubt as to whether this product is properly grounded. Do not modify the plug provided with the product – if it will not fit the outlet, have a proper outlet installed by a qualified electrician.

This product is for use on a normal 220-volt circuit and has a grounding plug that looks like the plug illustrated in sketch (A). A temporary adapter that looks like the adapter used in sketches (B) and (C) may be used to connect this plug to a 2-pole receptacle as shown in sketch (B), if a properly grounded plug is not available. The temporary adapter should be used only until a properly grounded outlet (sketch A) can be installed by a qualified electrician. The green colored, rigid ear tab or the like extending from the adapter must be connected to a permanent ground such as a properly grounded outlet box cover. Whenever the adapter is used, it must be held in place by a metal screw.

For all grounded cord-connected products:



This device complies with Part 15 of the FCC Rules. Operation is subject to the following two conditions: (1) This device may not cause harmful interference, and (2) this device must accept any interference received, including interference that may cause undesired operation.

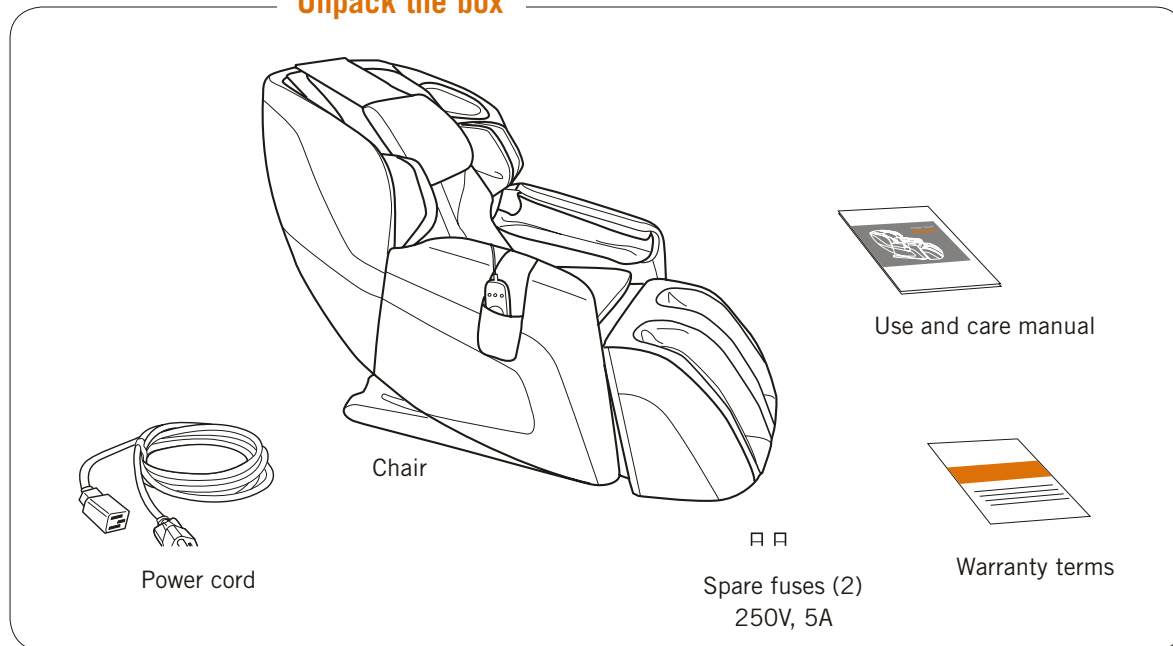
WARNING:

This product is equipped with a thermal resetting protection device. This is an added safety feature to protect you and this product from overheating. If the product should suddenly stop and will not start, turn the main power switch, located on the back of the product, off and do not operate the product for at least 30 minutes. Failure to turn the product off may result in the product starting unexpectedly when the device cools.

get ready

Assembling your massage chair is easy! Simply plug in the power cord and you're set to go!

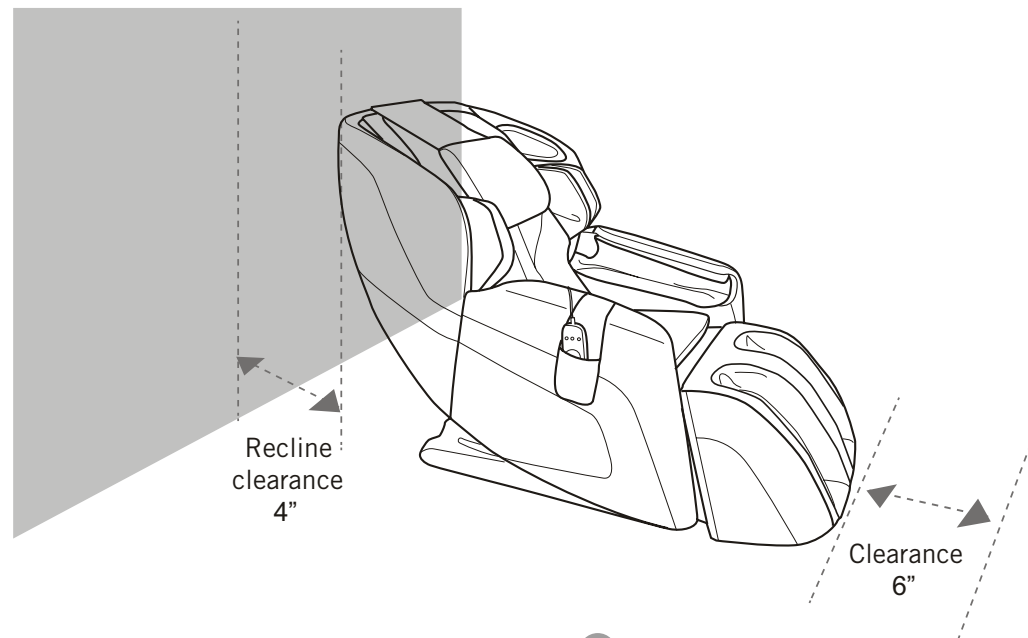
Unpack the box



Choose a location

When deciding where to place your SANA, consider the following:

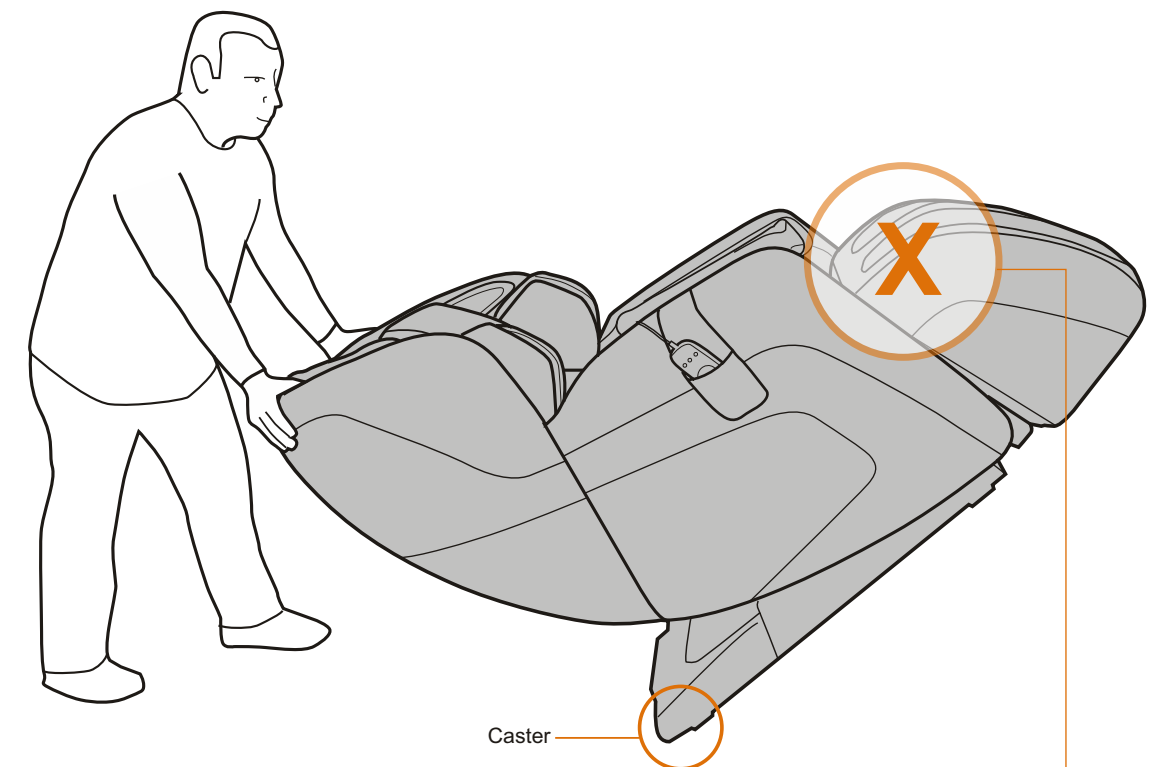
- Place the unit on a flat surface, away from direct sunlight or any other direct heat source (to avoid fading).
- If you wish to place the unit on a hard surface, it is recommended that you place a piece of carpet or a soft mat underneath it to avoid damaging the floor (minimum 48" x 28").
- To accommodate the footrest when deployed, make sure there is a clear area in front of the chair for at least 6".



Move the chair to the desired location

CAUTION: To avoid injury to yourself and damage to the product, have two or more people move the chair.

1. Push down on the backrest to tilt the front of the chair upward. **WARNING: Do not lift the chair by the footrest.**
2. Roll the chair on its casters to the desired location.
3. Gently lower the chair all the way to the floor: **WARNING:** Dropping the front of the chair to the floor may damage the chair and/or floor.



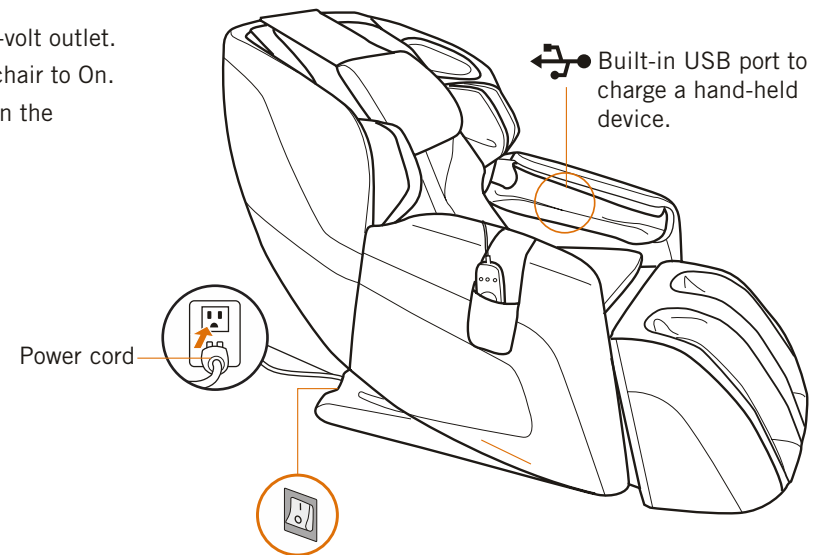
**WARNING: DO NOT LIFT
THE CHAIR BY THE FOOTREST**

take a seat

Now take a seat and get comfortable! You're about to experience a truly amazing massage.

Power on

1. Plug the power cord into a grounded 120-volt outlet.
2. Turn the power switch on the rear of the chair to On.
3. Make sure the remote control is secured in the remote control pocket, then take a seat.

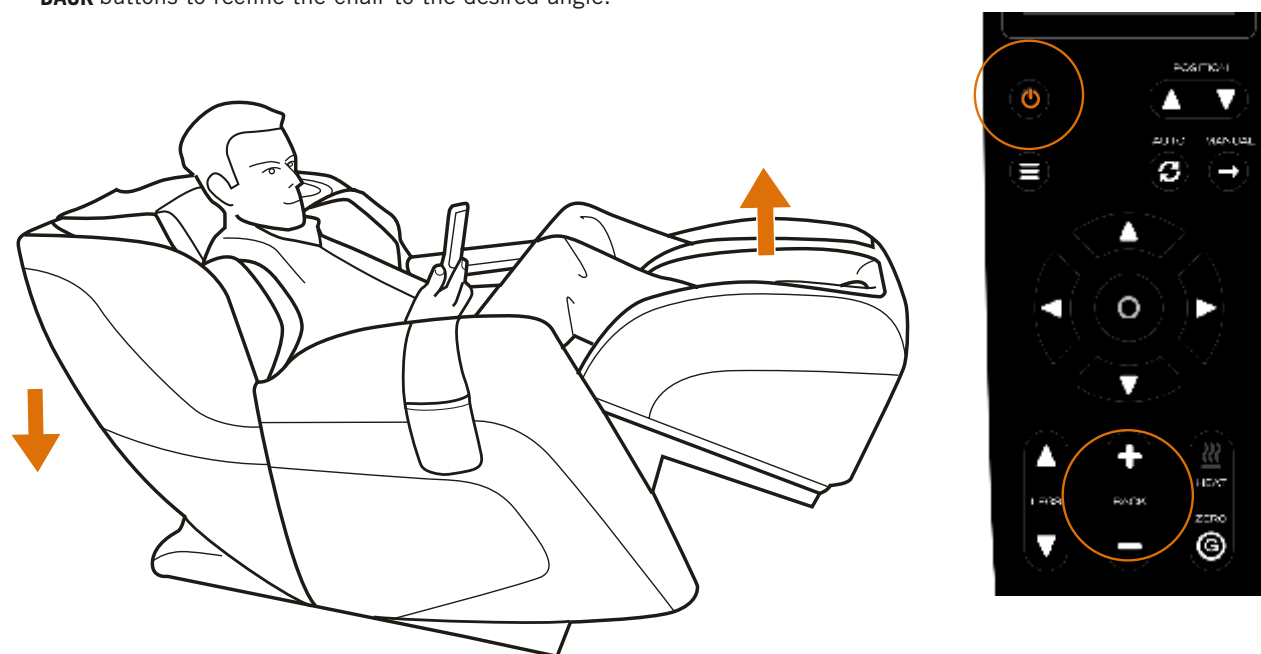


Use the **LEGS** buttons to adjust the footrest angle.

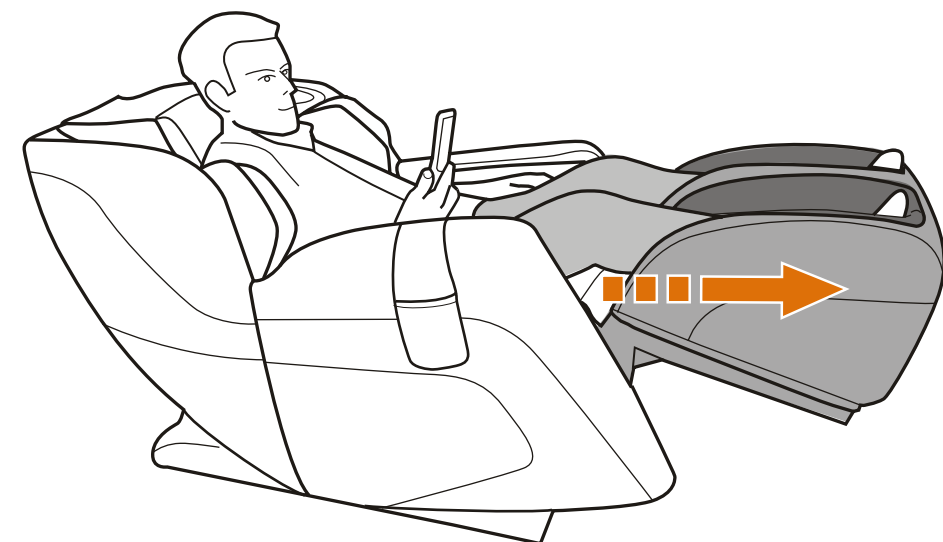


Adjust the recline and footrest angle

Press the **ON/OFF** button on the remote control, then use the **BACK** buttons to recline the chair to the desired angle.



If your calves are not pressing against the rear calf massage well, press your feet outward to extend the calf massager until they are in that position.



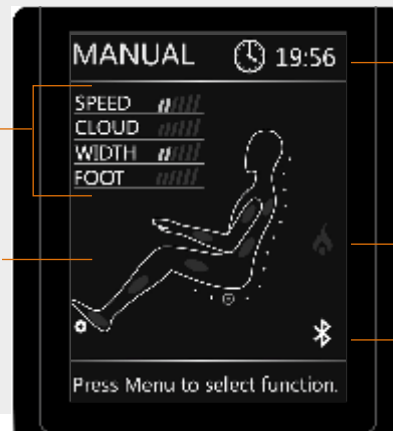
WARNING: Do not sit or stand on the calf massager, to avoid injury or permanent damage to your chair.

take control

THE STATUS SCREEN DISPLAYS DURING YOUR MASSAGE, PROVIDING A QUICK REFERENCE FOR THE FOLLOWING INFORMATION

- SPEED** — The percussion massage speed.
- CLOUD** — The Cloud Touch intensity.
- WIDTH** — The Tap Touch, Percussion, or rolling horizontal massage range.
- FOOT** — The underfoot roller speed.

(Illustrates the areas currently being massaged)



The amount of time remaining in the current massage session

Displays red to indicate heat is on.

Indicates if Bluetooth is on.

On/Off — Press this button to power on the remote; press again to restore the chair to the upright position and power off the remote.

Menu — Displays the main menu.

Use the arrow buttons to navigate the menus; press **○** to select a menu option.

Legs — Press and hold to raise or lower the footrest.

Position — Use to move the massage rollers to the desired position when enjoying a Zone or Spot massage. See *Using Manual Massage Modes on page 10 for more information.*

Manual — Displays the Manual massage menu.

Auto — Displays the Auto Programs menu. When an auto program is running, press to toggle among the auto programs. The active program displays at the top of the status screen.

Heat — Press to toggle the heat on and off. When the heat is on, the heat icon on the screen displays red.

Back — Press and hold to recline or incline the backrest.

ZeroG — Press to automatically position the chair in ZeroG mode, raising your feet above your heart for maximum spine relief.

human touch
be your best. feel your best.™

ⓘ If the chair is not in use for three minutes the controller display automatically shuts down. Press the **On/Off** button to resume use. The chair resets all settings to the default position.

Choose from **9 Auto Programs** based on your current need, or configure your own massage using the Manual massage menu. You can also control the Cloud Touch air massage focus and intensity. For an ultra-soothing massage, turn the heat on and connect your smartphone or tablet to the chair's speaker system.

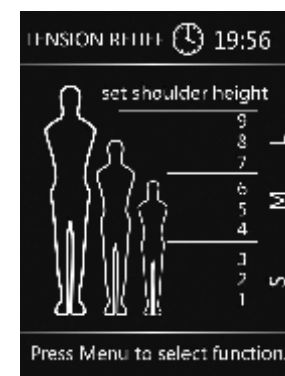
USING THE AUTO PROGRAMS



1. From the main menu, select **AUTO** to display the Auto Programs menu.



- TENSION RELIEF** - Focuses on relieving tension in the neck and shoulders.
- PERFORMANCE** - Delivers an intense Cloud Touch air massage.
- ENERGIZE** - Gets you up and moving for the day.
- RECOVERY** - Moves from your neck and shoulders down to glutes and thighs.
- STRETCH** - Soothes and stretches you from head to toe.
- FULL BODY** - Full body massage experience.
- UPPER BODY** - Focuses the massage on your upper body.
- LOWER BODY** - Focuses the massage on your lower body.
- DEMO** - Provides a five-minute overview of the chair's functions.

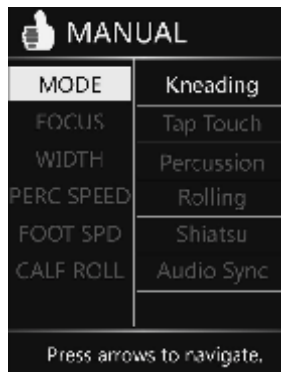


2. Select the desired program. The Set Shoulder Height screen displays.
3. Set the shoulder height to the desired position, ranging from small (1) to large (9). Your massage automatically maps to the selected shoulder height, for maximum effectiveness.
4. Sit back and enjoy a world-class massage!

NOTE: You can access the Set Shoulder Height screen during any massage by pressing one of the Position buttons on the remote control.

take control

USING MANUAL MESSAGE MODES



From the main menu, select **MANUAL** to display the Manual mode menu. From this menu you can customize your back massage mode, focus, width and percussion speed, along with the calf massage roller and underfoot roller speed.

NOTE: These options do not affect auto massage programs, with the exception of Foot SPD and Calf Roller, which you can turn off. If you have not already selected a shoulder height from the Manual Programs menu during this massage session, the Set Shoulder Height screen displays. Set the shoulder height to the desired position, ranging from small (1) to large (9). Your massage automatically maps to the selected shoulder height, for maximum effectiveness.

IMPORTANT: After selecting your shoulder height, you cannot select any additional manual settings until the status screen displays with the selected massage mode listed at the top, indicating that the program is now adjusted to your selected setting.

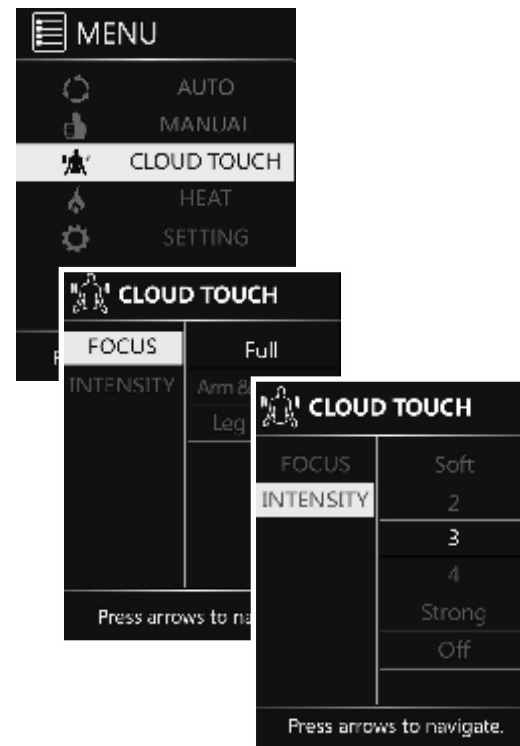
OPTION	MODE	DESCRIPTION
MODE	Kneading	Kneads your back in a small, circular motion on both sides of your spine simultaneously.
	Tap Touch	A pulsing and rolling massage.
	Percussion	Alternates rapid-tapping strokes along the spine to stimulate both spinal muscles and spinal joint areas, emulating the percussive massage technique used in sports medicine for deep muscle therapy.
	Shiatsu	Combines circular kneading motion with rapid-tapping percussion strokes.
	Rolling	Rolls gently up and down your back near your spine.
	Audio Sync	When connected to a smartphone or tablet, synchronizes the massage to your music.
FOCUS	Full	Massages your full back.
	Zone	Focuses your massage in a limited zone. Use the Position buttons to position the massage zone where you want it.
	Spot	Massages your back in a single spot. Use the position buttons to position the massage exactly where you need it.
WIDTH		Adjusts the horizontal massage range during Tap Touch, Percussion, or Rolling massage modes. Options are: wide (default), medium, narrow.
PERC SPEED		Adjusts the percussion massage speed.
FOOT SPD		Adjusts the underfoot roller speed. You can also turn the underfoot rollers OFF; This affects both manual massage modes and auto programs.
CALF ROLL		Adjusts the calf roller speed. You can also turn the calf rollers OFF; This affects both manual massage modes and auto programs.

NOTE: All manual massages include foot/calf massage and Cloud Touch air massage.

Setting Cloud Touch massage focus and intensity

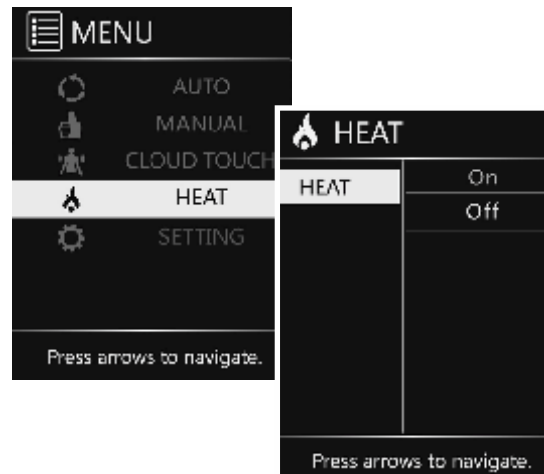
The Cloud Touch massage uses air to massage you from head to toe. You can select one or more Cloud Touch massage areas and set the intensity at any time during an auto massage program. You can also enjoy a Cloud Touch massage independent of any auto program.

1. From the main menu, select **CLOUD TCH** to display the Cloud Touch menu.
2. Select **FOCUS**, then select the area(s) you wish to activate. You must select a massage focus before selecting the intensity.
3. Select **INTENSITY**, then select the desired air intensity, or select **OFF** to stop the Cloud Touch massage.



Using backrest heat

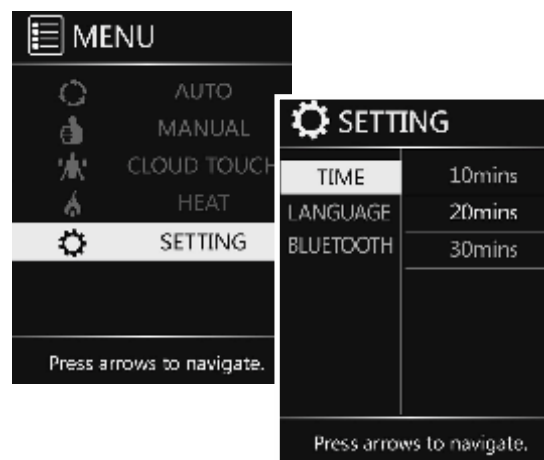
The default backrest heat setting is Off. To turn on the heat, press the **HEAT** button on the remote or select **HEAT** from the main menu then select **ON**.



Configuring massage duration

You can set your massage duration to 10 (default), 20, or 30 minutes.

1. From the main menu, select **SETTINGS** to display the Settings menu.
2. Select **TIME**, then select the desired massage duration.



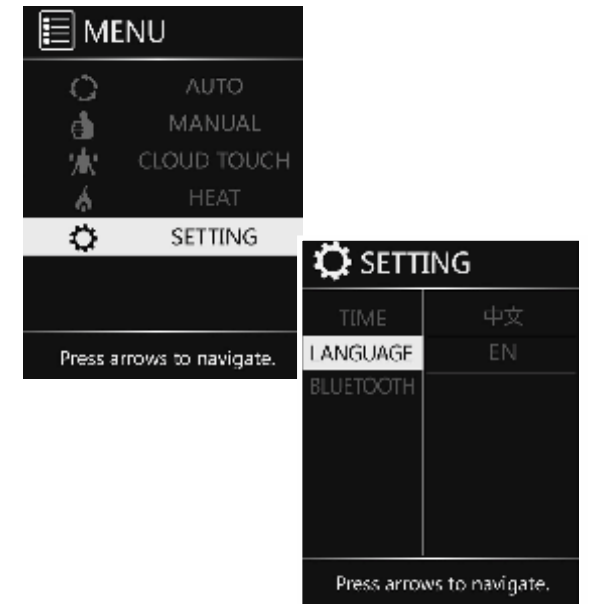
Selecting a language

You can choose to display all interface text in either English or Mandarin Chinese.

1. From the main menu, select **SETTINGS** to display the Settings menu.
2. Select **LANGUAGE**, then select the desired language.

If you select Chinese, follow these steps to return the display to English:

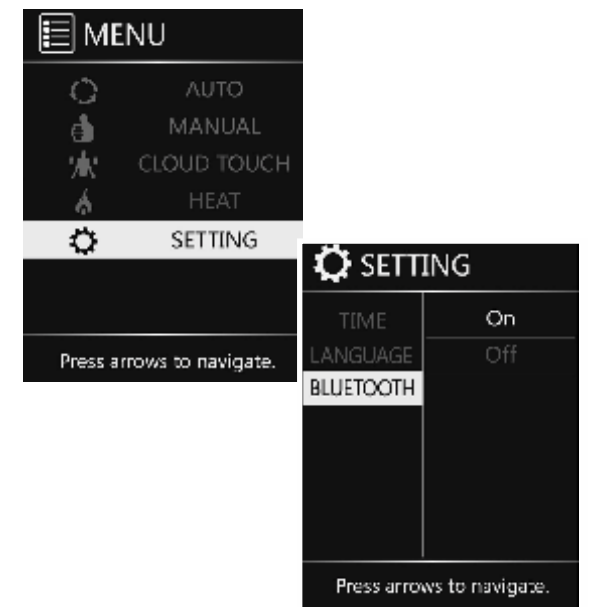
1. Power the chair off, and then on.
2. Select the last option on the main menu to display the Settings screen.
3. Select the middle option on the screen to display the two languages on the right-hand side of the screen.
4. Select **EN** to restore the display to English.



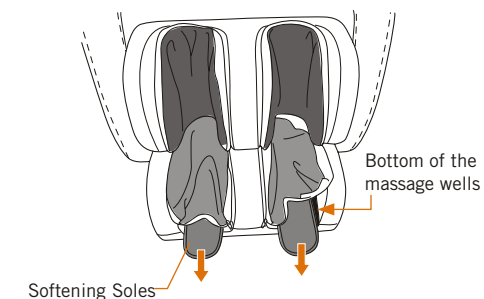
Connecting a device to the speaker system

Your massage chair contains a built-in high-quality speaker system, to which you can connect via Bluetooth. The default Bluetooth setting is On.

1. From the main menu, select **SETTINGS** to display the Settings menu.
2. Select **BLUETOOTH**, then verify that it is set to On. The massage chair is now discoverable by your device.
3. Using your device, scan for Bluetooth devices and select **SANA (serial number)** to connect. See your device instructions for more information.
4. Enjoy your favorite music along with your favorite massage!



- Foot massage too soft? Remove the softening soles from underneath your feet. To install your softening soles, simply open the foot/calf massage well zippers, remove the softening soles from the bottom of the massage wells, then close the zippers.



care and maintenance

To keep your product working and looking its best, please follow these simple care guidelines.

WARNING:

1. Be sure to disconnect the power cord from the electrical outlet before cleaning.
2. When cleaning the controller or power switch, use a dry cloth only. Never use a damp cloth to clean the controller or power switch.
3. Be sure to test any cleaning solution on a small, inconspicuous part of the product to ensure that the color does not fade prior to using the solution on the entire product surface.
4. Do not use benzene, thinner or any other solvents on your product.

Cleaning Code Standard: W

To maintain your Human Touch product in optimum condition, dust it frequently and/or vacuum it with a soft brush vacuum extension. If your product becomes dirty, use a water-based upholstery cleaner only. To treat stains, spot clean with an upholstery shampoo or a mild detergent foam. To clean the foot/calf massage well inserts, remove the inserts from the chair, hand-wash with a mild detergent, then line dry.

Maintenance and Repair:

1. The mechanics of this product are specially designed and constructed to be maintenance free. No periodic lubrication or servicing is required.
2. Your chair should only be serviced by an authorized service center.

Use and Storage Environment:

1. When not in use for a long period of time, we recommend that the chair be covered, the power cord be coiled and that the unit be placed in an environment free of dust and moisture.
2. Do not store near heat or open flame.
3. Do not leave this product exposed to direct sunlight for long periods of time. This may cause fading or damage.
4. Do not use or store in extreme temperatures; product stored in cold temperatures may require 48 hours at room temperature to function properly.
5. Product should be used and stored in an environment with non-condensing humidity ranging from 10 to 80%; excessive humidity will damage the mechanics.

Miscellaneous:

1. Foreign objects should not be inserted between the massage nodes or the unit housing.
2. Care should be taken not to overload the unit.

massagechairs.co.za

032.492.0103

info@massagechairs.co.za

Specifications*

Operating Voltage:	AC110-220V 60 Hz
Power Consumption:	1.2A
Chair Size (Upright) (cm):	155(L) x 74(W) x 114(H)
Chair Size (reclined) (cm):	180(L) x 74(W) x 84(H)
Required Recline Clearance:	10cm
Product Weight:	94 kg
Maximum Load Weight:	129 kg

*Specifications are subject to change without prior notice.